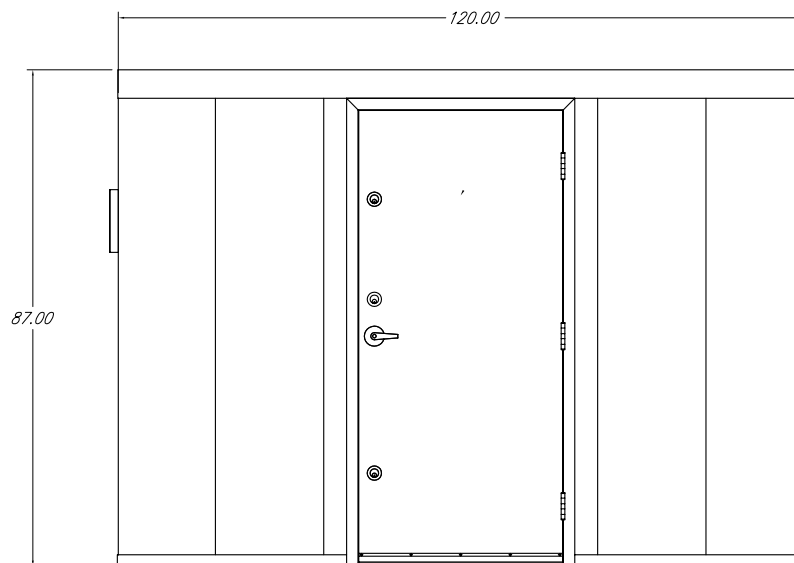
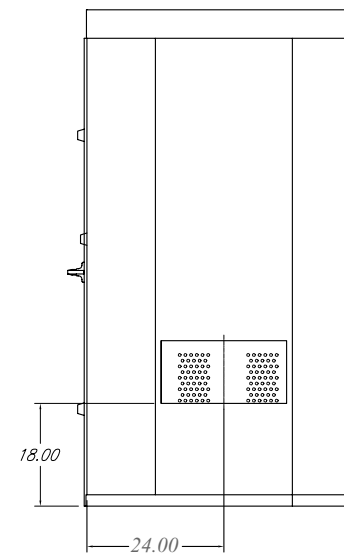


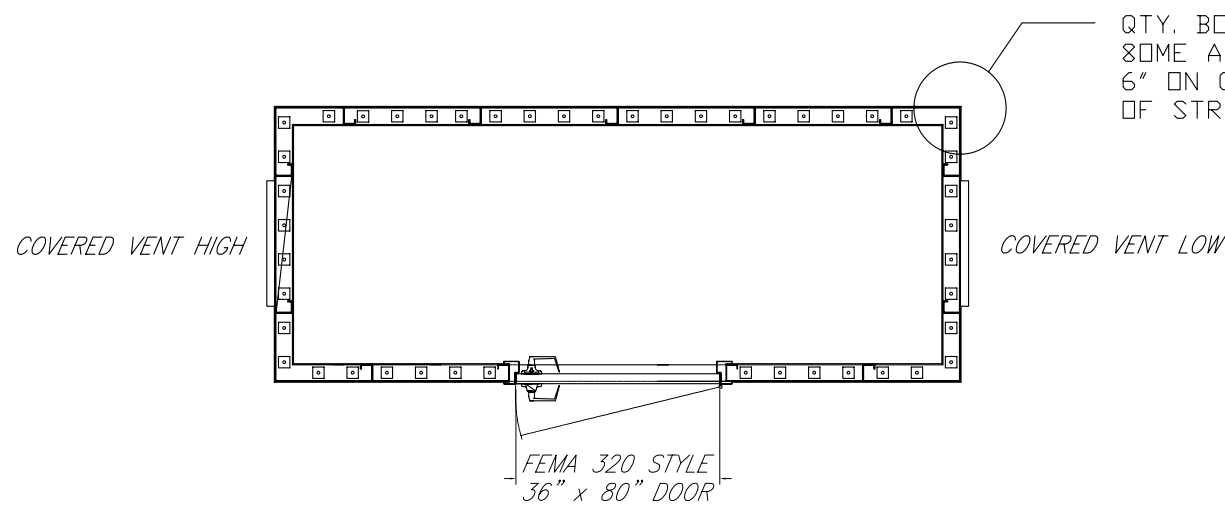
LEFT ELEVATION



FRONT ELEVATION



RIGHT ELEVATION



SHELTER LAYOUT

QTY. BOLT DOWN LOCATIONS: 46  
 SOME ANCHORS ARE NOT PLACED ON  
 6" ON CENTER TO ALLOW CLEARANCE  
 OF STRUCTURAL SUPPORTS.

<b>APPROVED</b>
_____ CUSTOMER APPROVAL
_____ DATE

COLOUR: GRAY

STORM SHELTERS: TORNADO & HURRICANE SAFE ROOMS

SECURALL STORM SAFE ROOMS ARE BUILT IN ACCORDANCE WITH SPECIFICATIONS SET FORTH BY FEMA, THE NATIONAL STORM SHELTER ASSOCIATION (NSSA), AND THE INTERNATIONAL CODE COUNCIL (ICC).

THESE ORGANIZATIONS ARE CURRENTLY THE LEADING AUTHORITIES ESTABLISHING GUIDELINES DICTATING THE DESIGN AND BUILD OF STORM SHELTERS. OUR SHELTERS COMPLY WITH THE RECOMMENDATIONS ESTABLISHED IN THE DOCUMENTS: FEMA 320 - TAKING SHELTER FROM THE STORM (WRITTEN IN CONJUNCTION WITH TEXAS TECH'S WIND ENGINEERING RESEARCH CENTER) AND ICC-500.

This document and all information herein is proprietary and shall not be disclosed outside your organization, nor shall it be duplicated, used or disclosed for purposes other than as permitted under written agreement with Securall Products.

DESIGN	DATE	<b>A &amp; A SHEET METAL PRODUCTS, INC.</b> LA PORTE, INDIANA 46360	
CHECKED	DATE	SE-CUR-ALL CABINETS	SERIAL NO. SUB-DIR.
SALES REP	DATE	BUILDINGS	
MW	11/17/08	TITLE CUSTOMER DRAWING	
CHIEF ENG	DATE	PART NUMBER TR10	REVISION
MANUFACT.	DATE	SCALE Not To Scale	SHEET NUMBER 1 OF 1